

Product Features

- ▶ Linux operating system, Modular ink system ,
- ▶ Smart cartridge model, Intelligent management the status of consumables usage
- ▶ Auto cleaning system, Auto-viscosity adjustment
- ▶ Communicate with external device and diverse packing machine , achieve industrial automation via RS232 interface
- ▶ Bar Codes:Code128, Code39, EAN13; QR code and DM code
- ▶ Can transfer the image to the dot file.
- ▶ Print-head meet all mounting positions
- ▶ Multi-Language System



Printer Details

Electronics compartment
32 ARM CPU, 400MH

Modular Ink System makes spare parts replacement easy for fast recovery from downtime.
Main ink Filter Life:7500h

√ Separate design between Ink compartment and electronics compartment
Reduce electromagnetic interference and the ink consumption



8" colorful touch screen
Easy-to-use system,



Sensor , Encoder, RS232
Beacon Lights



Printer Details



Printhead

✓ 4 Head Valves

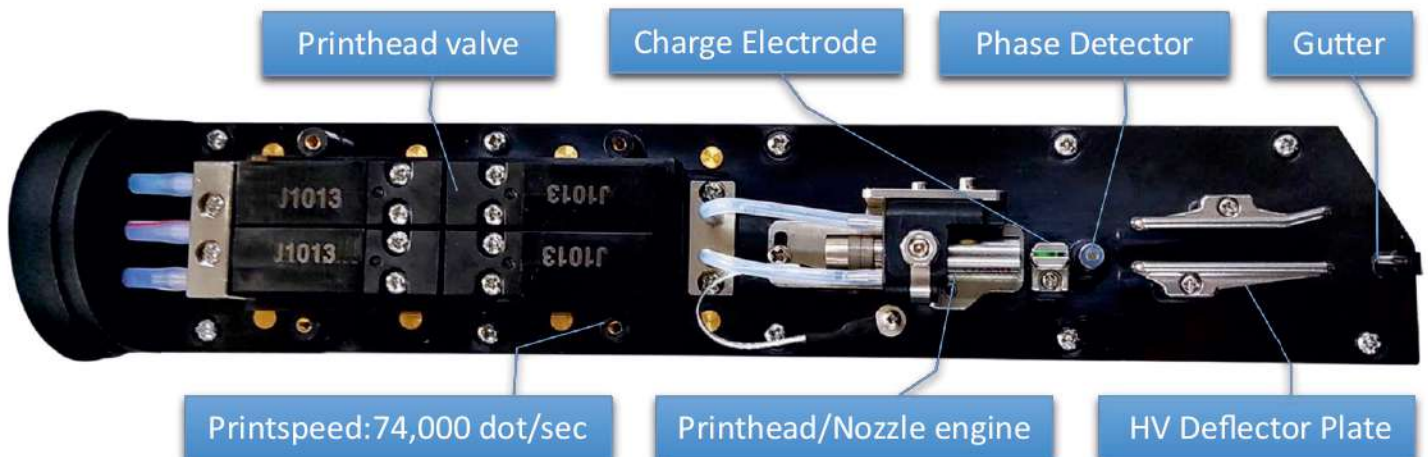
Faster ink Stop/Supply, prevent from ink leakage due to unexpected power failure

✓ New Design nozzle engine,

Reduce the blockage probability

✓ Heating Printhead & Auto Viscosity Adjustment

Better suitability in different temperature, prevent condensation, keep printhead dry & clean



Parameters

Line Speed Capability

Can print 1-3 lines, 350m/min (5*7)

Font Matrix Configuration

1-line:5*5, 5*7, 8*12, 11*16, 17*24, 25*25

2-line: 5*5, 5*7, 8*12, 12*12

3-line: 5*5, 5*7,

4-line:5*5

Bar Codes:

Code128, Code39, EAN13; QR DM code

Character Height

1.5mm-20mm. Best:10mm

Maximum can be widened 9 times

Print Distance

30mm Max. From print-head bottom to printing surface

Display

8' high-definition LCD touch screen

Memory Capacity

Up to 1000 messages

Language

Multi-Language.

Custom Logo/Graphics

Can be created on printer or via USB

Data Interface

USB, Encoder, Sensor, RS232

Printhead Umbilical

Ultra flexible, Length:2.7m, can be customized

Printhead

Heated printhead

Nozzle:60μm standard.

Fluids Containers

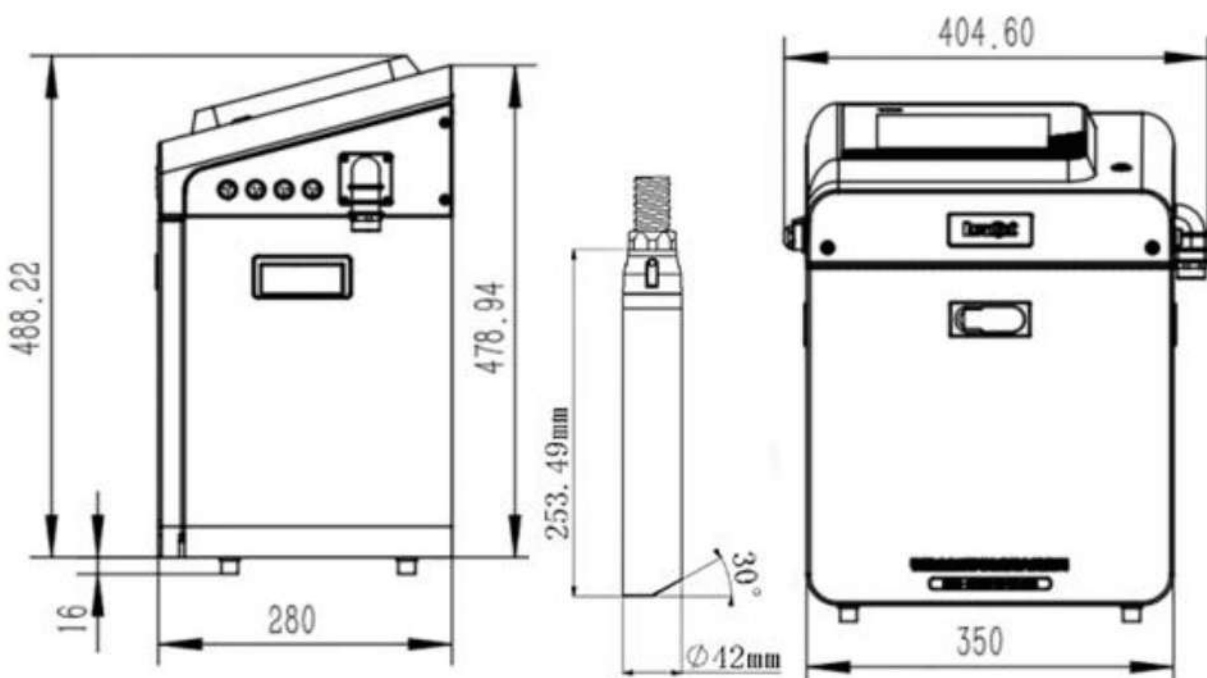
Smart Cartridge, Ink/ Make-up (700ml)

Ink Color and Type

Black, blue, red and yellow etc., dye-based ink

Electrical requirements

AC110V~220V 380V, 50/60Hz, 100W.



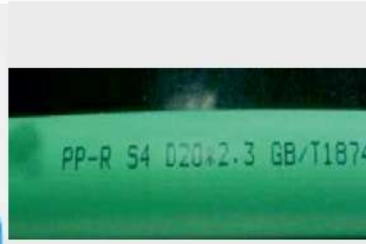
Applications



Food



Beverage



Chemical
Pharmacy



Industry



Why Choose Us



Professional: Print World is a **professional manufacturer** in coding and marking industry since 2016.

Market: India, Africa, Gulf



Certified by ISO 9001 : 2015 / BIS / EPR Plastic / EPR Electronics



Address : Office No. 3, Bhurat Heights, 2nd floor, Plot No. J/P-11/1, Bhosari MIDC, Tal. Haveli, Dist - Pune - 411026.

Web site : www.print-world.co.in / www.print-world.in

Contact : 7057531193 / 8669998907

